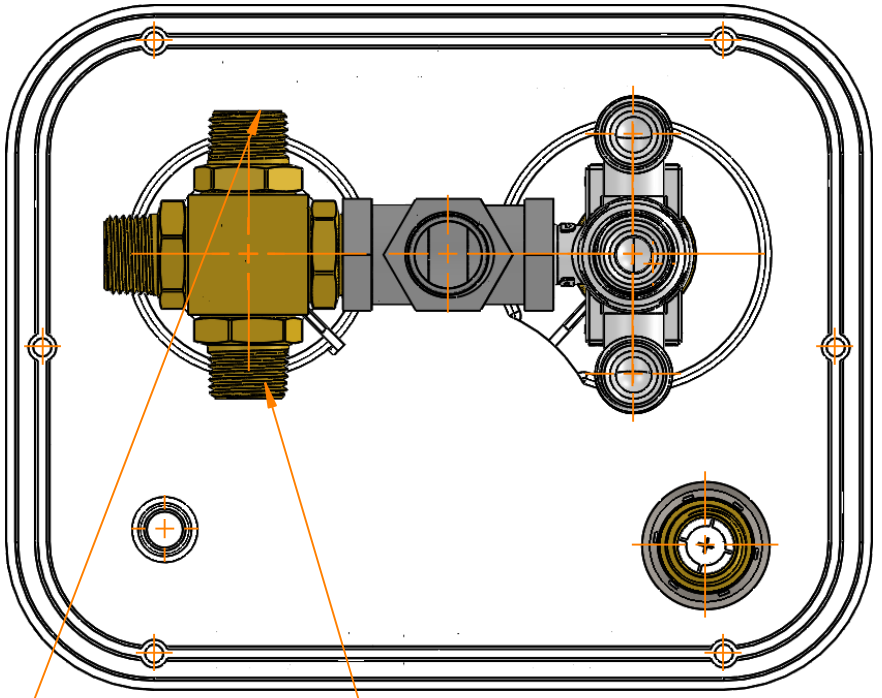
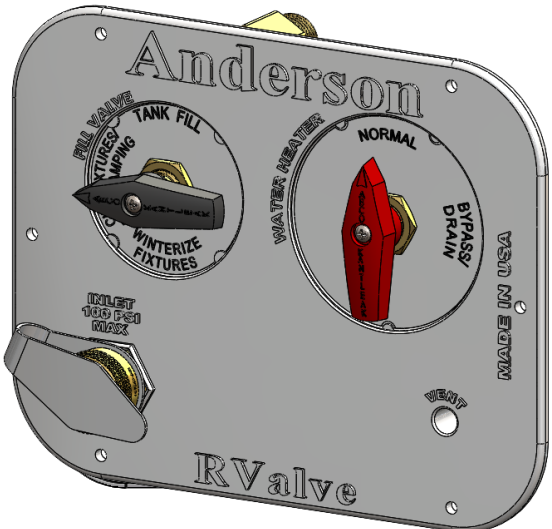


200RV-PT

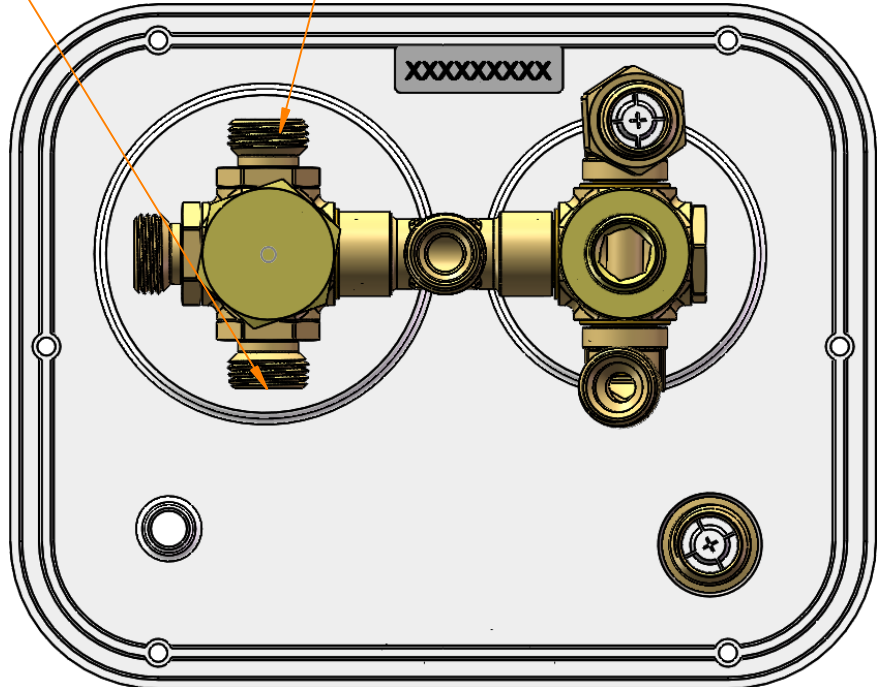


MOVE LINE " TO HOT WATER
 FIXTURES" FROM TOP PORT
 ON 200RV-PT
 VALVE , TO BOTTOM PORT ON
 MANRV102-RF

MOVE LINE
 " TO WATER HEATER"
 FROM BOTTOM PORT ON 200RV-PT
 VALVE, TO TOP PORT
 ON MANRV102-RF



MANRV102-RF



**TO REPLACE AN ANDERSON 200RV-PT WITH A MANRV102-RF
 TWO OF THE LINES TO THE WATER HEATER BYPASS VALVE MUST
 BE RELOCATED (ALL OTHER LINES CAN REMAIN THE SAME)**