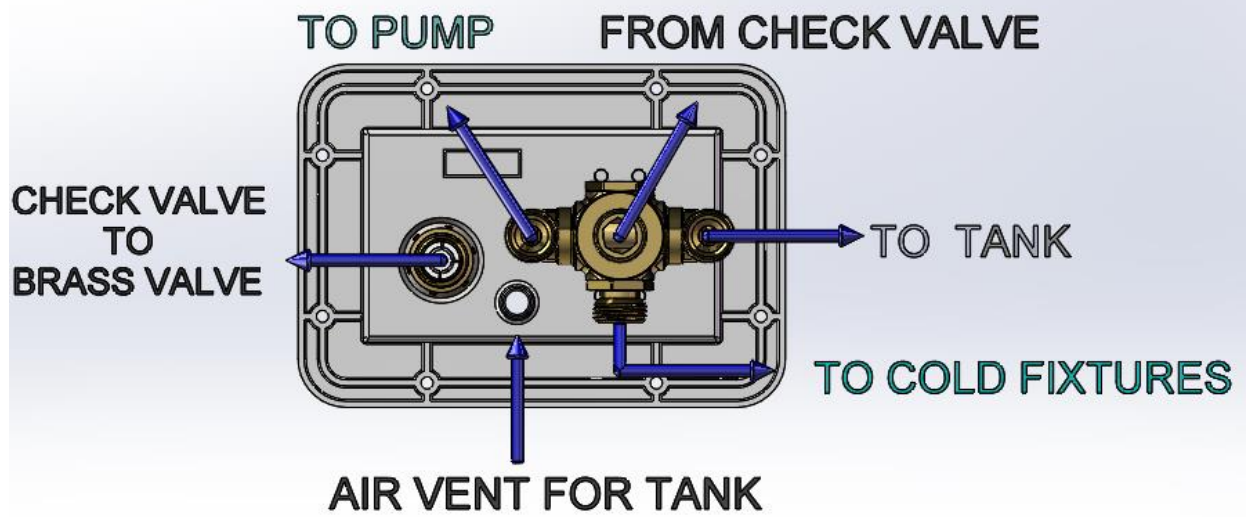
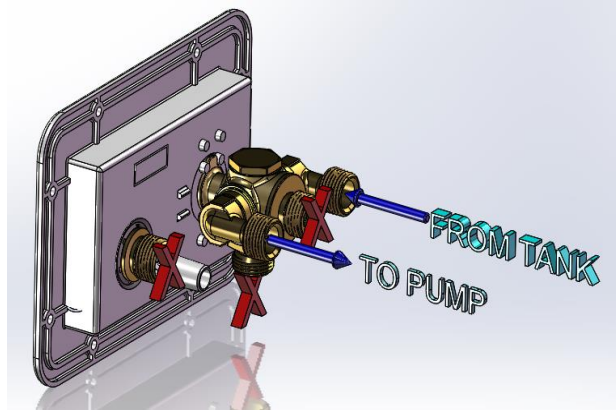
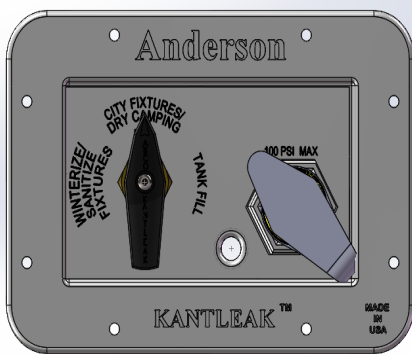


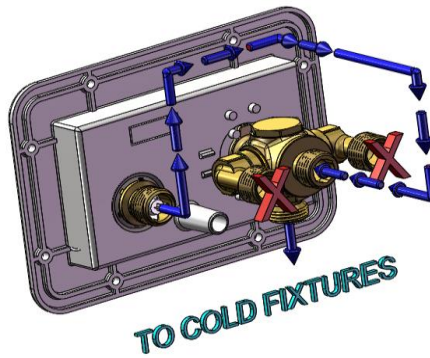
**MANRV101-RF**



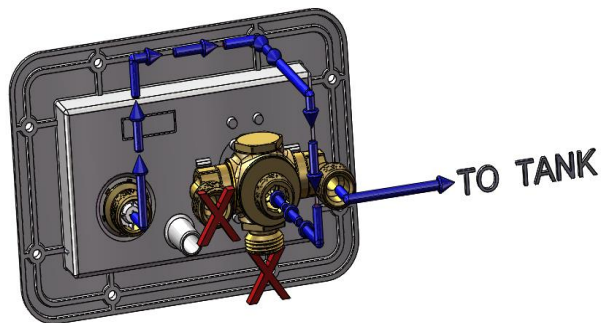
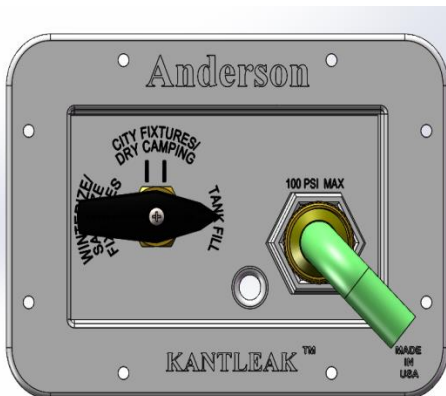
## TO RUN COLD FIXTURES FROM STORAGE TANK (VIA RV PUMP)



## TO RUN FIXTURE FROM PRESSURIZED CITY WATER



## TO FILL STORAGE TANK FROM PRESSURIZED CITY WATER



TO SANITIZE /WINTERIZE COLD FIXTURE (NOT TANK) FROM UNPRESSURIZED SOURCE (VIA RV PUMP)

